

4/2 Piston Valve

S/594

Port size $\frac{1}{8}$ " B.S.P.

Operating pressure: 1.3-7 bar

Cv. factor: 0.07

Operating temperature: -20°C to $+80^{\circ}\text{C}$

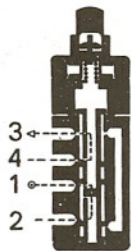
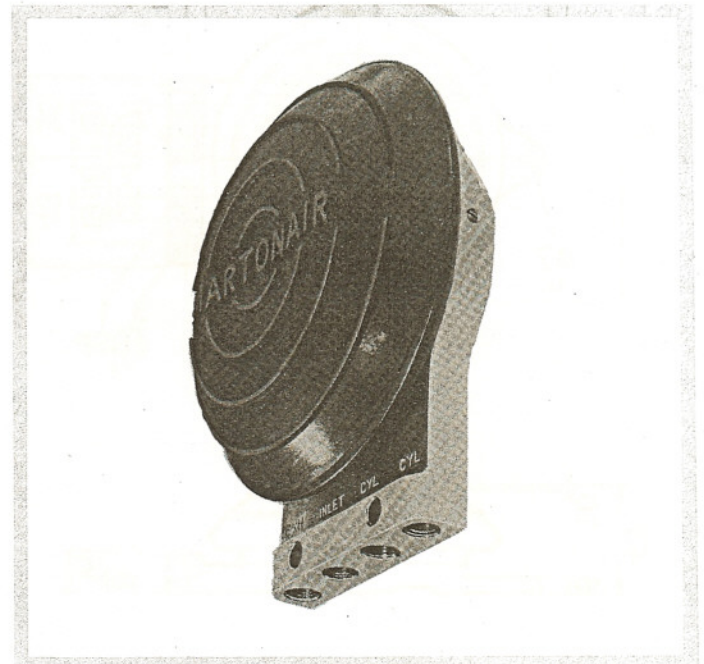
The mechanism of this unique little valve is totally enclosed by its synthetic rubber cover. The body is brass.

The only aperture, except for the pipe connections, is a small gauze covered breather. It is therefore, when the common exhaust is piped, virtually dust and water-proof may be used under conditions unfavourable to most other valves.

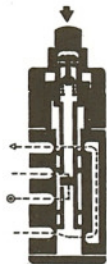
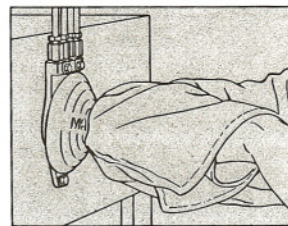
It is suitable for direct connections to small air cylinders such as are normally used for jigs and fixtures. For the speedy operation of larger cylinders it may be used as a pilot to operate a relay valve.

These valves can also be used as 3/2 valves by plugging one of the outlet ports.

Supply air must only be connected to the inlet port.

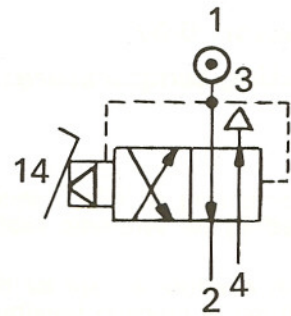
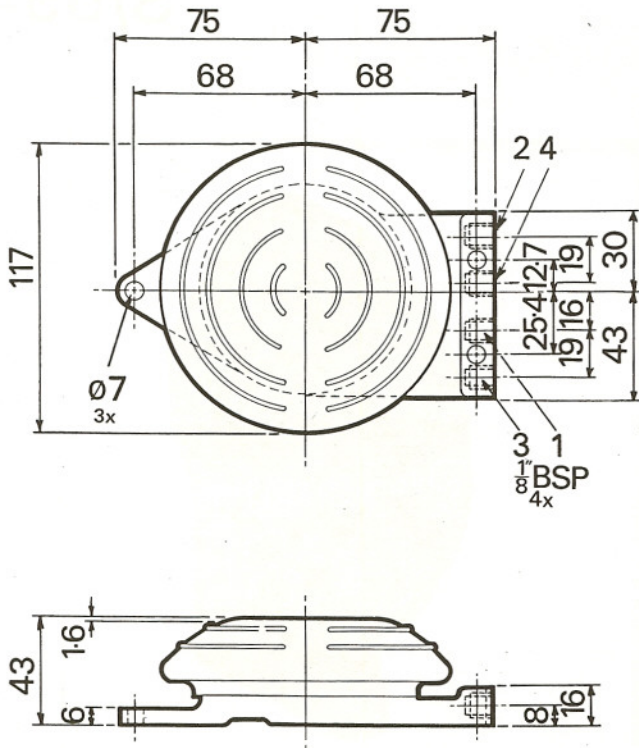


In this position a light spring keeps the bleed valve closed allowing the pressure on the differential piston head to overcome the pressure at the other end, connecting the inlet supply '1' to cylinder port '2'. Cylinder port '4' is connected to exhaust port '3'.



When the air on the large end is bled off the pressure at the small end switches the valve to connect the supply air to cylinder port '4', cylinder port '2' being connected to exhaust.





S/594
Mushroom valve
 Operating movement 1.6 mm.